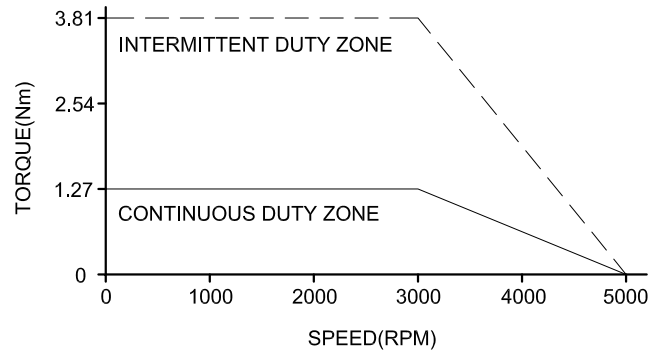
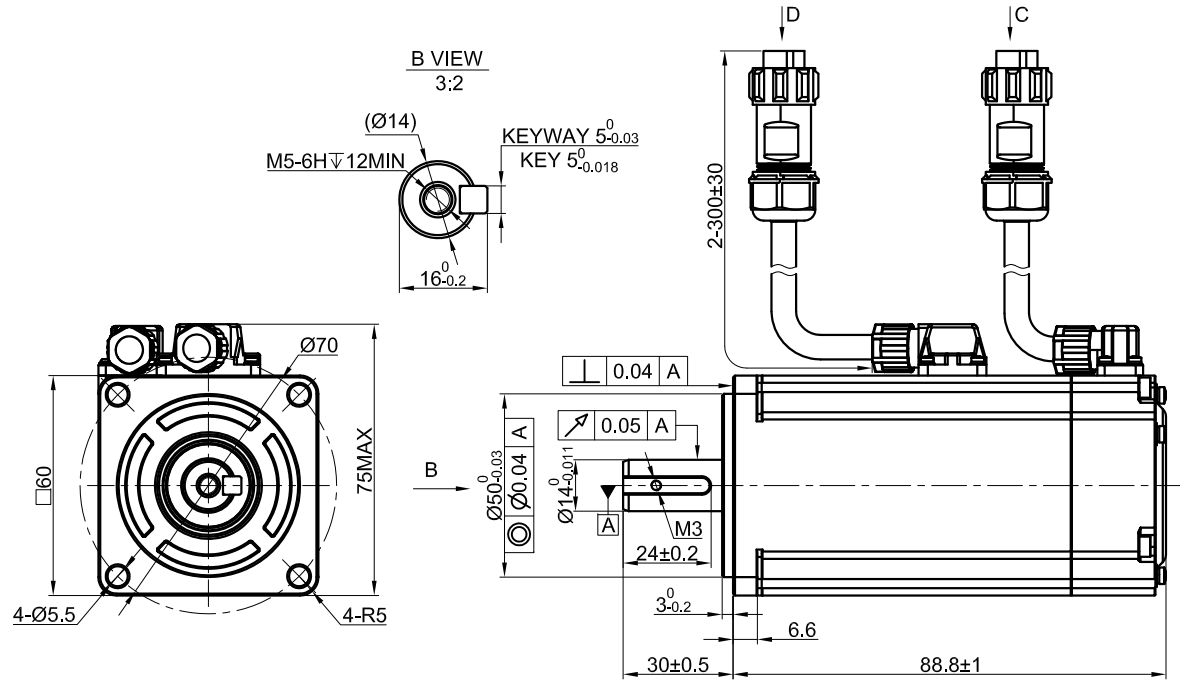


SPEED - TORQUE CURVE



SPECIFICATION	VALUE
RATED VOLTAGE(VAC)	220
RATED POWER(W)	400
RATED TORQUE(Nm)	1.27
PEAK TORQUE(Nm)	3.81
RATED SPEED(RPM)	3000
PEAK SPEED(RPM)	5000
RATED CURRENT(Amp)	2.1
PEAK CURRENT(Amp)	6.5
TORQUE CONST(Nm/Amp)	0.645
BACK EMF CONST(V/KRPM)	39
RESISTANCE(Ω)	5.7
INDUCTANCE(mH)	12
INERTIA(Kg·m ² ·10 ⁻⁴)	0.56
POLES	10
ENCODER TYPE	17bit inc
IP RATING	IP65
WEIGHT(KG)	1.3



D	WIRING DETAILS OF POWER CABLE CONNECTOR						
		PIN No.	1	2	3	4	—
	DESCRIPTION	U	W	V	PE	—	—
	COLOR	BLU	RED	BLK	YEL/GRE	—	—

C	WIRING DETAILS OF ENCODER CABLE CONNECTOR							
		PIN No.	1	2	3	4	5	6
	DESCRIPTION	PE	5V	0V	SD+	SD-	—	—
	COLOR	SHIELD	WHT	BLK	BLU	PUL	—	—

THE PART NUMBER OF CABLE FOR T6M60-400H2A3-M17S MOTOR	
POWER CABLE	CMST1M5
ENCODER CABLE	CEST1M5

	APVD		6.10.2022
	CHKD		
2:1	DRN		
SCALE	SIGNATURE		DATE

AC SERVO MOTOR

T6M60-400H2A3-M17S