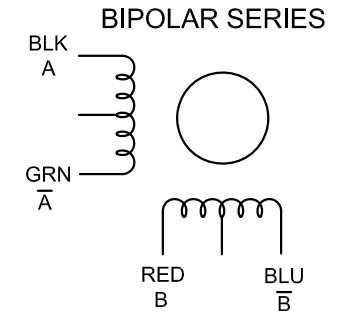
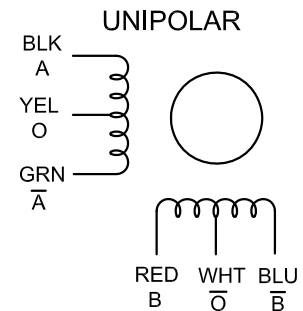


| SPECIFICATION | CONNECTION | UNIPOLAR |
|---|------------|------------|
| VOTAGE(VOC) | | 12.00 |
| AMPS/PHASE | | 0.40 |
| RESISTANCE/PHASE(Ohms)@25°C | | 30.00±10% |
| INDUCTANCE/PHASE(mH)@1KHz | | 30.00±20% |
| HOLDING TORQUE(Nm)[lb-in] | | 0.26[2.26] |
| STEP ANGLE(°) | | 1.80 |
| STEP ACCURACY(NON-ACCUM) | | ±5.00% |
| ROTOR INERTIA(g-cm ²) | | 54.00 |
| WEIGHT(Kg)[lb] | | 0.28[0.62] |
| TEMPERATURE RISE:MAX.80°C (MOTOR STANDSTILL;FOR 2PHASE ENERGIZED) | | |
| AMBIENT TEMPERATURE -10°C~50°C[14°F~122°F] | | |
| INSULATION RESISTANCE 100 Mohm (UNDER NORMAL TEMPERATURE AND HUMIDITY) | | |
| INSULATION CLASS B 130°C[266°F] | | |
| DIELECTRIC STRENGTH 500VAC FOR 1MIN.(BETWEEN THE MOTOR COILS AND THE MOTOR CASE) | | |
| AMBIENT HUMIDITY MAX.85%(NO CONDENSATION) | | |

| STEP | A | B | \bar{A} | \bar{B} | O(\bar{O}) | CW |
|------|---|---|-----------|-----------|----------------|----|
| 1 | + | + | | | + | ↓ |
| 2 | | + | + | | + | |
| 3 | | | + | + | + | |
| 4 | + | | | + | + | |
| 1 | + | + | | | + | |



| | | | | |
|-------|-----------|--|------|--|
| | APVD | | | |
| | CHKD | | | |
| 1:1 | DRN | | | |
| SCALE | SIGNATURE | | DATE | |

STEPPER MOTOR

17HS15-0406S