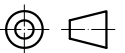
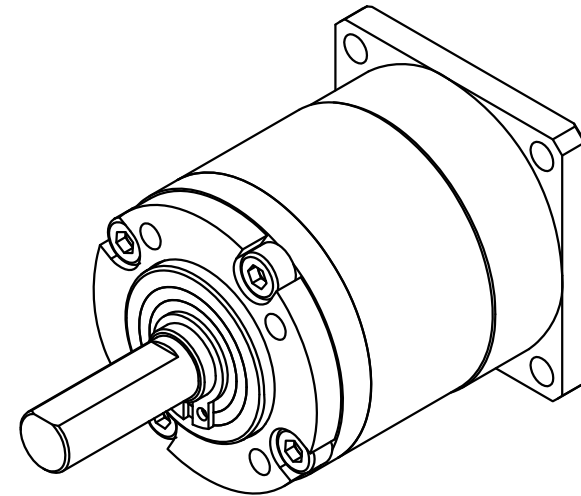


| SPECIFICATION | CONNECTION | VALUE |
|--|------------|-------------------------|
| GEAR RATIO | | 50 |
| EFFICIENCY | | 94.00% |
| BACKLASH@NO-LOAD(arcmin) | | <=20 |
| MAX.PERMISSIBLE TORQUE(Nm)[lb-in] | | 3.00[26.55] |
| MOMENT PERMISSIBLE TORQUE(Nm)[lb-in] | | 6.00[53.10] |
| SHAFT MAXIMUM AXIAL LOAD(N) | | 100 |
| SHAFT MAXIMUM RADIAL LOAD(N) | | 300 |
| GEARBOX MATCHING MOTOR'S INPUT SHAFT LENGTH (mm) | | 9.5±0.5 |
| RATED INPUT SPEED(RPM) | | 1000 |
| MAX. INPUT SPEED(RPM) | | 2000 |
| NOISE(dB) | | <=55 |
| WATERPROOF RATING | | IP54 |
| LIFE(h) | | 20000 |
| WORKING TEMPERATURE | | -20°C~150°C[-4°F~302°F] |



| | | |
|-------|-----------|-----------|
| | APVD | 1.19.2023 |
| | CHKD | |
| 1:1 | DRN | |
| SCALE | SIGNATURE | DATE |

PLANETARY GEARBOX

EGS11-G50